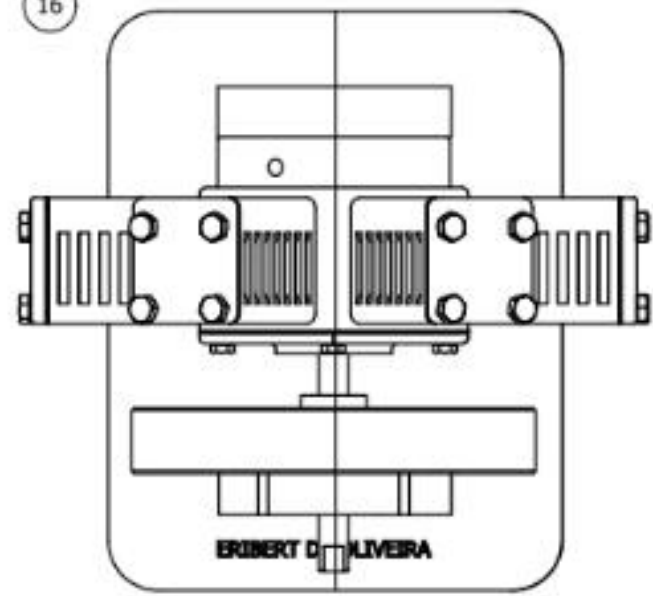
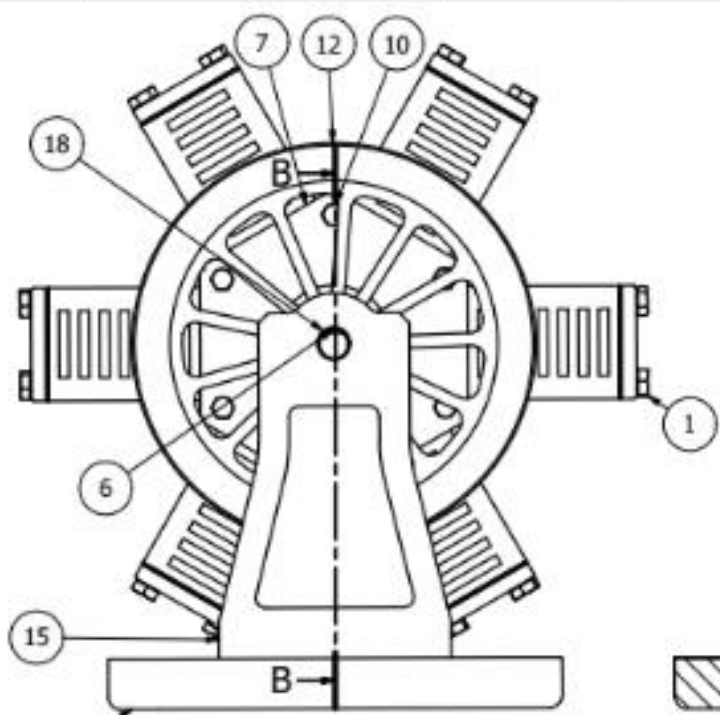
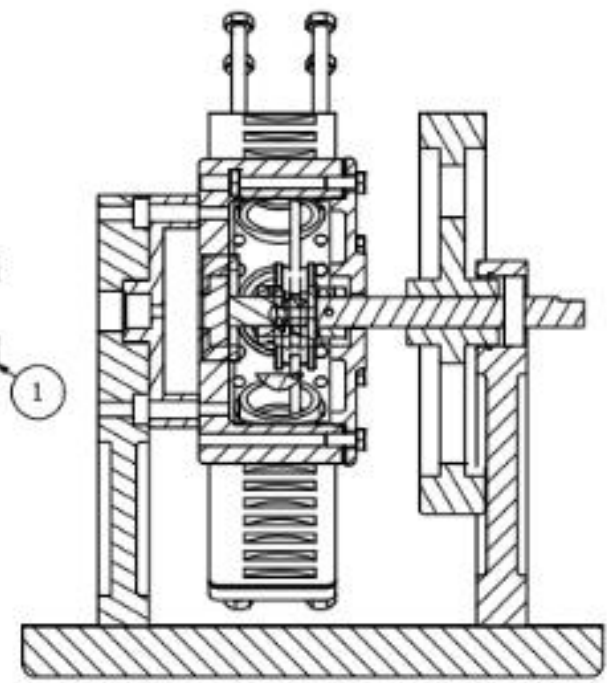


B-B (0,5:1)

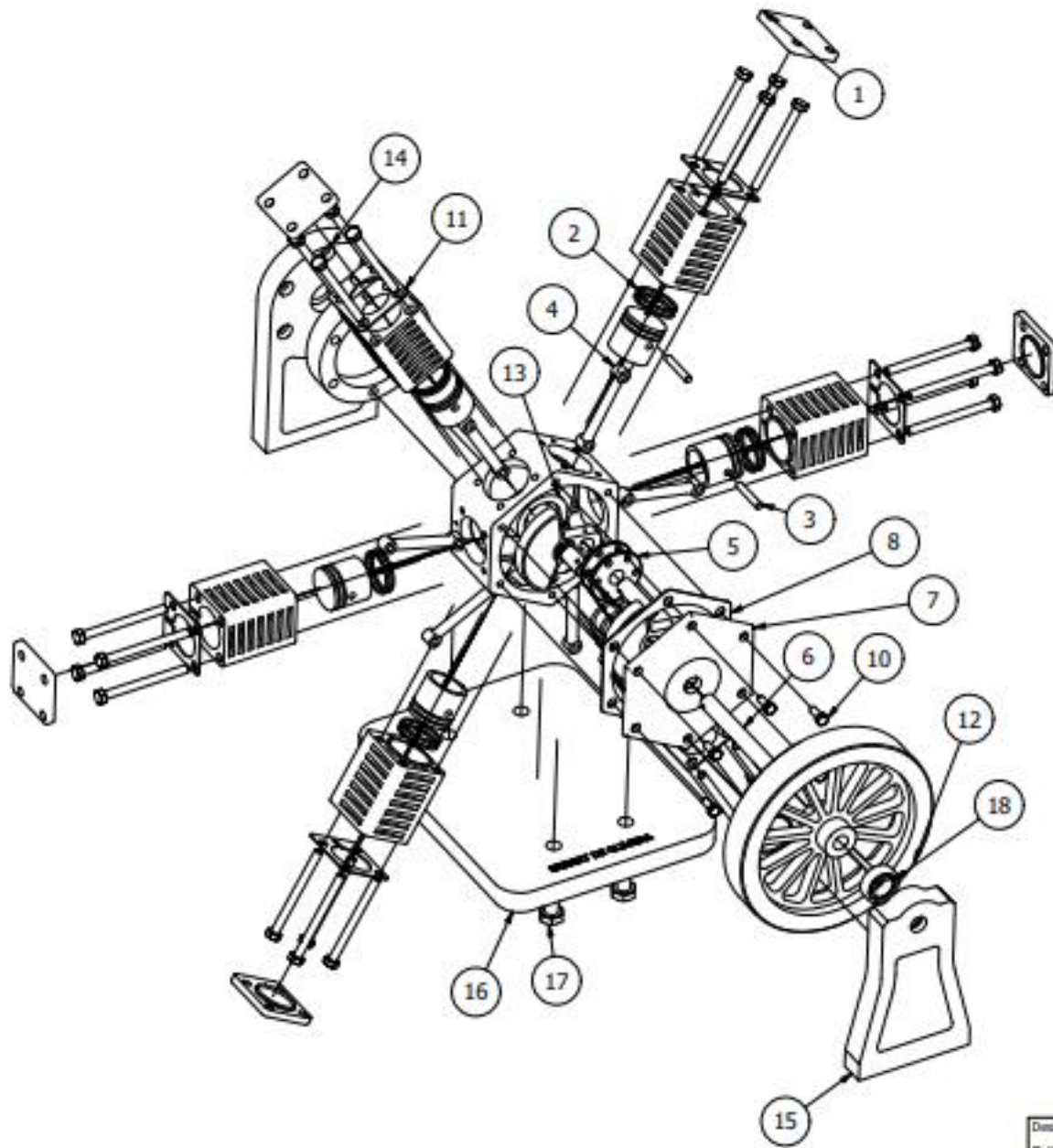
PARTS LIST

ITEM	QTY	PART NUMBER	DESCRIPTION
1	1	Ensamble Crankcase	
2	6	Ensamblaje Pistón	
3	6	ISO 2338 - 5 m6 x 30 - A	Parallel pins, unhardened
4	6	Connecting Rod	
5	1	Connecting Rod Hub	
6	1	Ensamblaje Crankshaft	
7	1	Crankcase Cover	
8	1	Crankcase Gasket	
9	1	AS 1110 - M6 x 12	ISO metric hexagon precision bolts and screws
10	6	AS 1110 - M5 x 12	ISO metric hexagon precision bolts and screws
11	1	Valve Housing	
12	1	Flywheel	
13	1	Valve	
14	1	Bearing Stand	
15	1	Bearing Holder	
16	1	Stand	
17	4	AS 1110 - M10 x 16	ISO metric hexagon precision bolts and screws
18	1	DIN 625 SKF - SKF 6001	Single row ball bearings SKF



ERIBERT D. OLIVEIRA

Designed by Eribert De Oliveira	Checked by	Approved by	Date 18/07/2019
ATC		Ensamble Proyecto	
		Nivel 1 Inventor	Sheet 2 / 2



PARTS LIST			
ITEM	QTY	PART NUMBER	DESCRIPTION
1	1	Ensamble Crankcase	
2	6	Ensamblaje Pistón	
3	6	ISO 2338 - 5 m6 x 30 - A	Parallel pins, unhardened
4	6	Connecting Rod	
5	1	Connecting Rod Hub	
6	1	Ensamblaje Crankshaft	
7	1	Crankcase Cover	
8	1	Crankcase Gasket	
9	1	AS 1110 - M6 x 12	ISO metric hexagon precision bolts and screws
10	6	AS 1110 - M5 x 12	ISO metric hexagon precision bolts and screws
11	1	Valve Housing	
12	1	Flywheel	
13	1	Valve	
14	1	Bearing Stand	
15	1	Bearing Holder	
16	1	Stand	
17	4	AS 1110 - M10 x 16	ISO metric hexagon precision bolts and screws
18	1	DIN 625 SKF - SKF 6001	Single row ball bearings SKF

Designed by Eribert De Oliveira	Checked by	Approved by	Date	Date 18/07/2019
ATC		Despiece Proyecto		
Nivel 1 Inventor			Edition	Sheet 1 / 1

